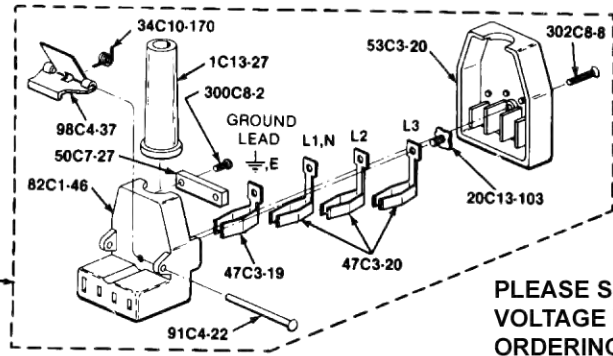
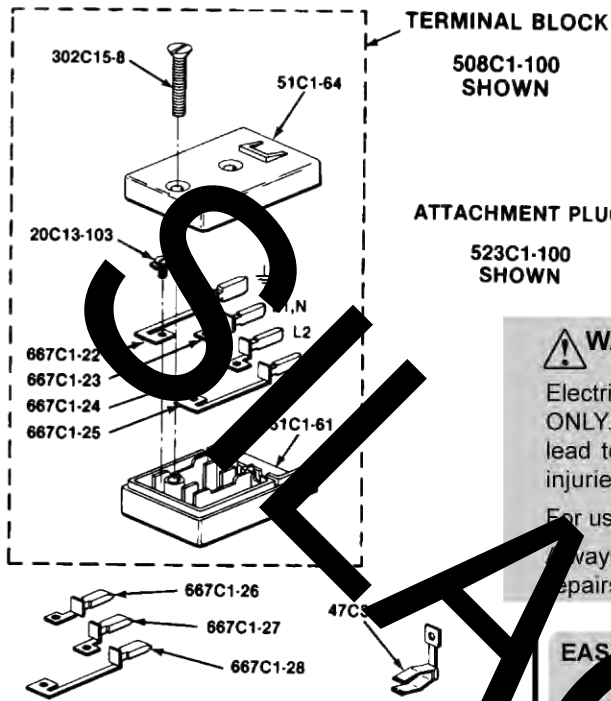


Electrical Connections



PLEASE SPECIFY VOLTAGE WHEN ORDERING PARTS

WARNING

Electrical connections to this machine must be made by a qualified electrician ONLY. Failure to follow applicable codes and regulations and conduct a ground lead to terminal "E" on the attachment plug may result in serious personal injuries.

For user safety, connect a ground lead to terminal "E" on the attachment plug. Always unplug the machine before performing maintenance, adjustment or repairs.

Description	Part No.	EASTMAN 10A 120V 3~	EASTMAN 10A 220V 3~	EASTMAN 10A 220V ~	EASTMAN 15A 120V ~	EASTMAN 25A 42V ~
Attachment Plug		523C1-99	523C1-100	523C1-101	523C1-102	523C1-103
Cord Sleeve	1C13-27	1	1	1	1	1
U-Lock Sleeve	20C13-103	4	4	3	3	3
Spring	34C10-170	1	1	1	1	1
Terminal Sleeve	47C3-19	1	1	1	1	1
Terminal Sleeve (current)	47C3-20	2	3	1	1	1
Terminal Sleeve (current)	47C3-21	1	—	1	1	1
Cord Clamp	50C7-27	1	1	1	1	1
Attachment Plug Cover	53C3-19	53C3-19	53C3-20	53C3-21	53C3-22	53C3-23
Attachment Plug Body	82C1-45	1	—	—	—	—
Attachment Plug Body	82C1-46	—	1	—	—	—
Attachment Plug Body	82C1-47	—	—	—	—	—
Attachment Plug Body	82C1-48	—	—	—	—	—
Attachment Plug Body	82C1-49	—	—	—	—	1
Rivet	91C4-22	1	1	1	1	1
Thumb Clip	98C4-37	1	1	1	1	1
Screw #4-40 x 3/8 Round Head	300C8-1	—	—	2	2	—
Screw #4-40 x 1/2 Round Head	300C8-2	2	2	—	—	2
Screw #4-40 x 7/8 Round Head	302C8-8	1	1	1	—	1
Terminal Block		508C1-99	508C1-100	508C1-101	508C1-102	508C1-103
U-Lock Screw	20C13-103	4	4	3	3	3
Terminal Block Bottom	51C1-61	1	1	1	1	1
Terminal Block Top	51C1-63	51C1-63	51C1-64	51C1-65	51C1-66	51C1-67
Screw #10-32 x 1-1/8 Flat Head	302C15-8	2	2	2	2	2
Terminal Contact w/Pin E	667C1-22	1	1	1	1	1
Terminal Contact w/Pin L1,N	667C1-23	1	1	1	—	—
Terminal Contact w/Pin L2	667C1-24	1	1	—	1	—
Terminal Contact w/Pin L3	667C1-25	—	1	—	—	1
Terminal Contact w/Pin L1,N	667C1-26	—	—	—	1	1
Terminal Contact w/Pin L2	667C1-27	—	—	1	—	—
Terminal Contact w/Pin L3	667C1-28	1	—	—	—	—