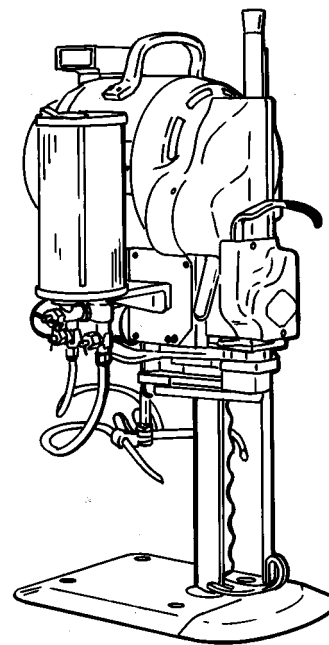


Plastic Master

Model 627PM/629PM

Maintenance, Instruction and Parts List



OPERATING INSTRUCTIONS

Before turning machine on, swing felt pads into operating position with felt pads bearing exactly on knife. Turn valve (23) counterclockwise to allow EASTMAN lubricant to flow freely without restriction. Open left and right valve (25) by turning counter clockwise equal amounts to insure equal flow for desire lubrication.

SHARPENING

Take the machine out of the lay. Swing felt holders out of the way by pressing levers 36 and 46 together. Drop KNIFE GUARD/PRESSURE FOOT by means of pressure foot lever located next to machine operating handle. Press lever downward with a slow, firm pressure to engage sharpening mechanism. Too fast lever action may cause lever to lock, if this occurs, lift lever and start over. After a few tries you will feel correct operating pressure. For best results use GENUINE EASTMAN Waterproof Belts and GENUINE EASTMAN High Speed Wave Knives.

CAUTION: To avoid extensive damage to machine, swing felt holders out of the way by pressing levers 36 and 46 together BEFORE operating sharpener.

LUBRICATION

With electrical cord disconnected, fill water can assembly with diluted EASTMAN Concentrated PLASTIC MASTER FLUID. Fluid must be diluted with plain water before any use. Add two ounces of fluid with one gallon of water. Shake or stir thoroughly.

NOTICE: The Eastman Machine Co. does not warrant this Plastic Cutting Fluid and disclaims all liability for any damage that may occur through its use.

FELT HOLDER ADJUSTMENT

If felt holders do not bear exactly on knife, adjustment is required. Loosen setscrews (37), adjust and tighten screws. To adjust for height, loosen thumb nut (29), adjust and tighten.

FELT REPLACEMENT

With electrical cord disconnected, remove moistening device from machine by removing thumb nut (29) and rod screw (34). Remove worn felts (43) and replace with EASTMAN part 191C1-14. Replace moistening device, thumb nut and rod screw.

All reference numbers shown herewith refer to the partlist and illustration on the following two pages.

Supplement to Eastman Blue Streak II Instruction Book and Parts List. All Instructions and Safety Warnings contained in the Blue Streak II manual must be read and followed. Only instructions and parts special to the Eastman Plastic Master Option are contained in this booklet and referral to the Blue Streak II Book must be made.

Illustrated Parts list

820C3-101

820C3-109**

820C3-110***

ITEM	PART NO.	DESCRIPTION	QTY.
1	301C15-3	Screw, Fil. Head 10-32 x 5/8	2
2	12C1-23	Washer, Lock, Internal #10	2
3	53C11-163	Capacitor Cover (1 phase only)	*
	53C11-184**	Capacitor Cover (1 phase only)	*
4	53C2-130	Switch Cover (3 phase only)	*
	53C11-185***	Switch Cover (3 phase only)	*
5	4C1-149	Nut, Elastic Stop 10-32	2
6	62C16-149	Bracket, Water Can	1
	62C16-335**,***	Bracket, Water Can	1
7	741C2-5	Water Can Assembly	1
8	53C11-69	Cover	1
9	91C4-11	Rivet	1
10	115C1-10	Top Disc	1
11	12C15-61	Gasket	2
12	140C1-1	Body	1
13	65C5-3	Tie Rod	1
14	115C1-11	Bottom Disc	1
15	15C13-36	Stud	1
16	4C1-144	Locknut	1
17	12C15-63	Washer, Rubber	1
18	12C15-60	Washer, Flat	1
19	4C1-152	Locknut	1
20	12C15-62	Washer, Flat	1
21	12C15-58	Washer, Flat	1
22	4C1-151	Locknut	1
23	671C1-2	Needle Valve	1

ITEM	PART NO.	DESCRIPTION	QTY.
24	62C16-157	Valve Bracket	1
25	671C2-0	Needle Valve With Tube	2
26	73C7-41	Tube, Rubber (Long)	1
27	73C7-42	Tube, Rubber (Short)	1
28	701C1-6	Holder Sponge Assembly	1
29	4C2-79	Wing Nut 6-32	1
30	747C1-2	Rod Adjusting Assembly	1
31	17C1-5	Pin, Dowel	2
32	62C1-148	Bracket	1
33	12C15-46	Spacer	1
34	20C12-89	Screw For Rod	1
35	301C7-2	Screw, Fil. Head 4-36 x 3/16	4
36	98C4-20	Clip, Finger, RH	1
37	300C10-1	Screw, Round Head 6-32 x 3/16	2
38	33C10-39	Holder, Tube, RH	1
39	20C5-12	Screw	1
40	34C10-75	Spring, Tension	1
41	301C7-3	Screw, Fil. Head, 4-36 x 1/4	2
42	756C1-1	Tube, Assembly, RH	1
43	191C1-14	Pad, Oil	2
44	756C1-0	Tube, Assembly, LH	1
45	33C10-38	Holder, Tube, LH	1
46	98C4-19	Clip, Finger, LH	1

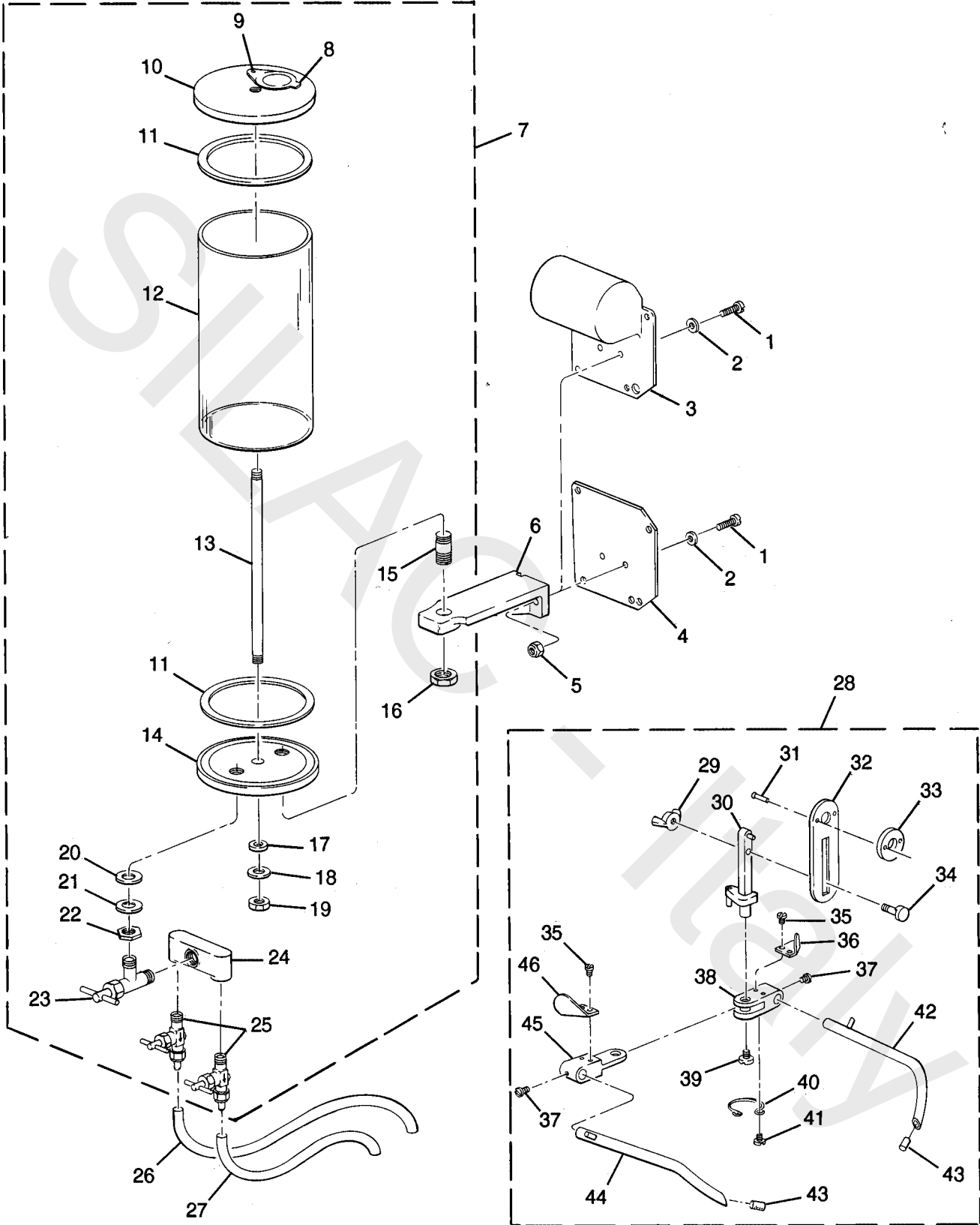
* For Reference Only

** 627xs/629xs 1 Phase

*** 627xs/629xs 3 Phase

GENUINE EASTMAN Concentrated PLASTIC MASTER FLUID
242C3-0 - 1/2 Pint 242C3-1 - 1 Gallon

Requires wave blade and special sharpeners shoes (not shown)	
20C12-57	Shoe Screw
34C10-47	LH Shoe Spring
34C10-57	RH Shoe Spring
743C1-27	LH Sharpener Shoe
743C1-26	RH Sharpener Shoe



Eastman®
Over a Century of Cutting Expertise

Limited Warranty. Eastman warrants to the buyer that the equipment shall be free from defects in materials or workmanship for a period of 180 days commencing on the date of invoice. Any goods or parts claimed by the buyer to be defective must be returned to Eastman, freight charges prepaid, within the 180-day warranty period. If Eastman determines that the goods or parts are defective in materials or workmanship, Eastman's sole obligation under this warranty shall be, at Eastman's sole option, to repair or replace the defective goods or parts or to provide the buyer a credit equal to the portion of the purchase price allocable to the defective goods or parts. This warranty shall not apply if defects are caused by product misuse or neglect, if the machine has been altered or modified by the buyer, or if other than genuine Eastman belts, emery wheels, knives or parts are used in the machine. THIS WARRANTY IS THE ONLY WARRANTY APPLICABLE TO THIS PURCHASE. SELLER DISCLAIMS ALL OTHER WARRANTIES, EXPRESSOR IMPLIED, INCLUDING, BUT NOT LIMITED TO, THE IMPLIED WARRANTIES OF MERCHANTABILITY AND FITNESS FOR A PARTICULAR PURPOSE.

Limitation of Liability. Eastman's liability to the buyer, and the buyer's remedies from Eastman, whether in contract, negligence, tort, under any warranty or otherwise, shall be limited to the remedies provided in the foregoing Limited Warranty. In no event shall Eastman have any responsibility or liability to the buyer for (a) any special, indirect, incidental, or consequential damages, including, but not limited to, loss of use, revenue, or profit, even if Eastman has been advised of the possibility of such damages, or (b) any claim against the buyer by any third party. The price stated for the product sold is a consideration for limiting Eastman's liability.

Eastman®

Over a Century of Cutting Expertise

779 Washington St., Buffalo, N.Y. 14203-1396 U.S.A. • (716)856-2200 • Fax (716)856-1140 or (716)856-2068

Manufacturers of Eastman Cloth Cutting and Cloth Spreading Machines

Website: www.EastmanCuts.com